



- AGRICULTURE
- COASTAL

- HYDROLOGY
- INDUSTRIAL & PLC

- METEOROLOGY
- SMART CITIES & IOT

- SOLAR POWER PLANTS
- WEATHER STATIONS

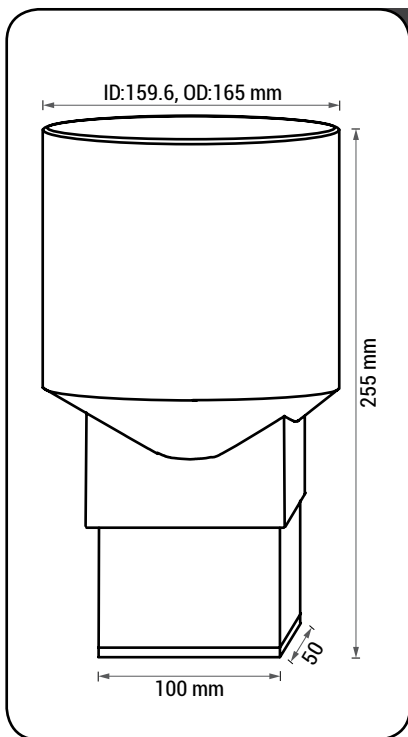
Self-Emptying Bucket Rain Gauge (Ø200 cm² orifice)

SEB-200 Rain Gauge

With **thousands of units in use worldwide**, this rain gauge offers an unbeatable value. Highly reliable, simple to maintain and simple to clean, it has found applications in all climates.

Proven self-emptying bucket technology to ensure uninterrupted measurement of precipitation regardless of amount and intensity.

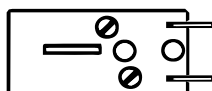
It measures rain by means of a standardized orifice funnel which collects water into a self-emptying bucket mechanism. This mechanism offers more **consistent long-term response** than tipping-bucket rain gauges because its counter weight is not effected by water, dirt and dust accumulation.



Two switching options

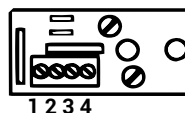
Normally Closed

Normally Closed (NC) has one reed switch which opens for <0.5s for each rain measurement.



Normally Open

Normally Open (NO) features a terminal strip with 4 connections / 2 outlets connected to 2 reed switches in series by 1 k ohm and 1/4W resistor.



Individually Tested

Rain gauges are individually tested and use high quality reed switches. *Electronics are protected against salt spray, water, frost and heat by a weather-resistant coating.*

Type	Accuracy	Stability	Resolution	Measuring range	Operating range	Response*	Orifice area
Precipitation type: Rain	±0.2 mm (typical)	<0.1 mm per year	0.2 mm	0°C...60°C	-40°C...60°C	0.3mm start	Ø 200 cm ²

* Rain gauge sensor response is the estimated amount of rain precipitation required to register a first reading (to signal the 1st 0.2mm of rain accumulation). Precipitation amounts less than this amount may not register a reading due to the following variables present in all funnel based rain gauges: Drops remaining on funnel surface, debris in the catch funnel and water opening, residual water remaining in measuring spoon from last rain event, dirt and dust accumulation in funnel and spoon effecting hydrophobic properties and mechanical friction. Inspection interval should be determined by application and user experience in their application environment.

For applications where performance and reliability are important in cost sensitive applications.

ISO:9001 quality.

Weather resistant, robust and simple to maintain with reliable ultra-low power reed switch operation.

